

Soap dispenser

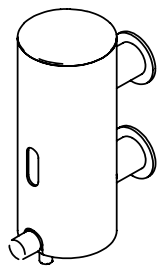
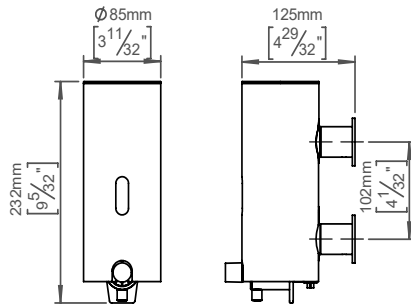


Knud Holscher collection

Product Ø85, 350ml, w/indicator, satin finish.

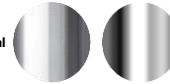
Tender text Knud Holscher collection, soap dispenser Ø85mm, 350 ml, with indicator, self-tapping screws included. Manufactured in the highest quality marine grade, AISI 316 stainless steel, protecting against high levels of corrosion. Not for use with ethanol based disinfectants. 20-year warranty.

Product specification Dimensions: 85x210x143mm
Material: stainless steel AISI 316
Surface finish: satin grain 320, crafted by hand
Viscosity: 70-100 cP.
[20-year warranty \(5 years for coated items\)](#)



Available finishes

Solid metal



Satin steel

Polished steel

PVD



Charcoal

Copper

Brass

Powder coated



Black

Spare parts/ accessories 14704526001 - Soap Container f/Ø85
14710000000 - spare key f/soap dispenser

Mounting <https://dline.com/mounting-instructions/>

Product care

d line products are produced in the highest quality marine grade AISI 316 stainless steel. To sustain the unique d line finish please follow the below instructions:

- Wash down the surfaces using soapy water or mild detergent
 - Always thoroughly rinse off with clean water
 - To complete the cleaning procedure dry/polish the surface with a soft dry cloth
- Please do not use scouring powder, steel wool, chloride based detergents or other aggressive cleaning products as these may damage the surface.
- If spots or corrosion appear on the surface it is not due to the stainless steel quality, but to impurities in the environment, aggressive conditions or improper or insufficient cleaning.