

Rail only Doc M shower pack with stainless steel luxury concealed fixing grab rails



Product details

Warranty:	See individual products
Max rated load:	See individual products
Doc M compliant:	Yes
Suitable for wet areas:	Yes

Features

- Complies with Part M of the Building Regulations
- Concealed fixing stainless steel grab rails
- Stainless steel hinged support rail with concealed fixings
- Simple one box solution

Finish options



Matt black
RAL 9005



Satin
Stainless Steel



Polished
Stainless Steel

Product description

Product code

Rail only Doc M shower pack, stainless steel, luxury rails, matt black (RAL 9005)

321101/MB

Rail only Doc M shower pack, stainless steel, luxury rails, polished

321101/SP

Rail only Doc M shower pack, stainless steel, luxury rails, satin

321101/SS

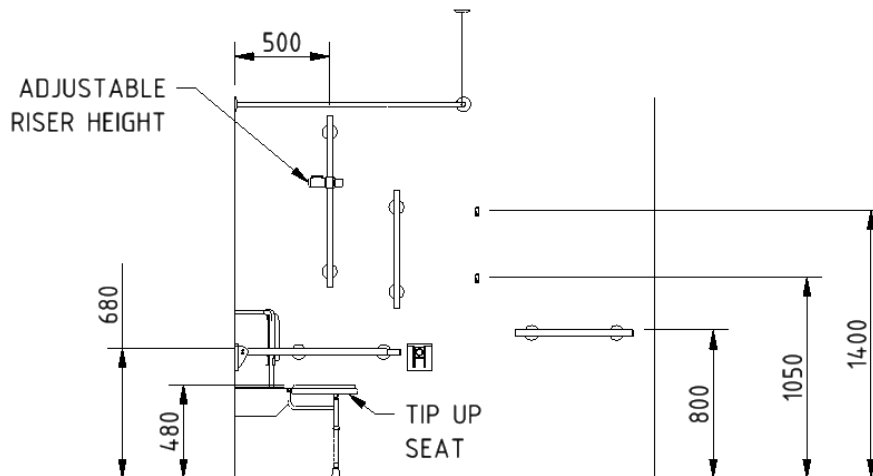
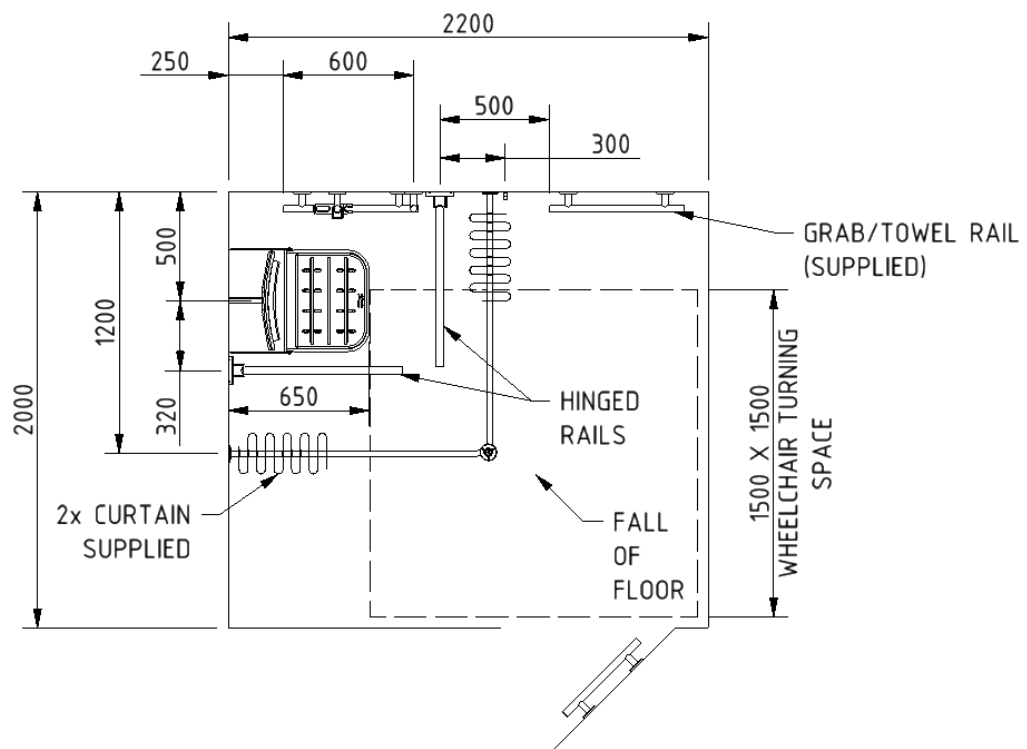
Disclaimer

NYMAS Group makes every effort to ensure that the information provided on this data sheet is correct. However, we cannot guarantee this, and accept no liability for any information or advice given on this data sheet.

Pack contents

- 1 x Doc M shower seat
- 1 x 450mm stainless steel luxury grab rail with concealed fixings
- 3 x 600mm stainless steel luxury grab rails with concealed fixings
- 1 x 900mm stainless steel luxury grab rail with concealed fixings
- 2 x 800mm stainless steel contemporary hinged support rails with concealed fixings
- 1 x 1200mm x 1200mm stainless steel shower curtain rail
- 2 x Weighted shower curtains
- 1 x Sliding shower head bracket
- 2 x Single robe hooks

Dimensions (mm)



Wall mounted polished aluminium Doc M shower seat



Product details

Warranty:	5 years
Max rated load:	250 kg
Doc M compliant:	Yes
Suitable for wet areas:	Yes

Features

- Complies with Part M of the Building Regulations
- Extended projection to allow easier side transfer from wheelchair
- Non-corrosive Aluminium and stainless frame
- Durable clip on plastic seat
- Adjustable height
- Drainage holes for easy-drain
- Back support for optimum comfort
- Closed cell polyurethane pad for maximum hygiene and comfort

Finish options



Black
RAL 9005

Product description

Doc M shower seat, 650mm projection, polished frame, black pads

Product code

SB-085/BL

Disclaimer

NYMAS Group makes every effort to ensure that the information provided on this data sheet is correct. However, we cannot guarantee this, and accept no liability for any information or advice given on this data sheet.